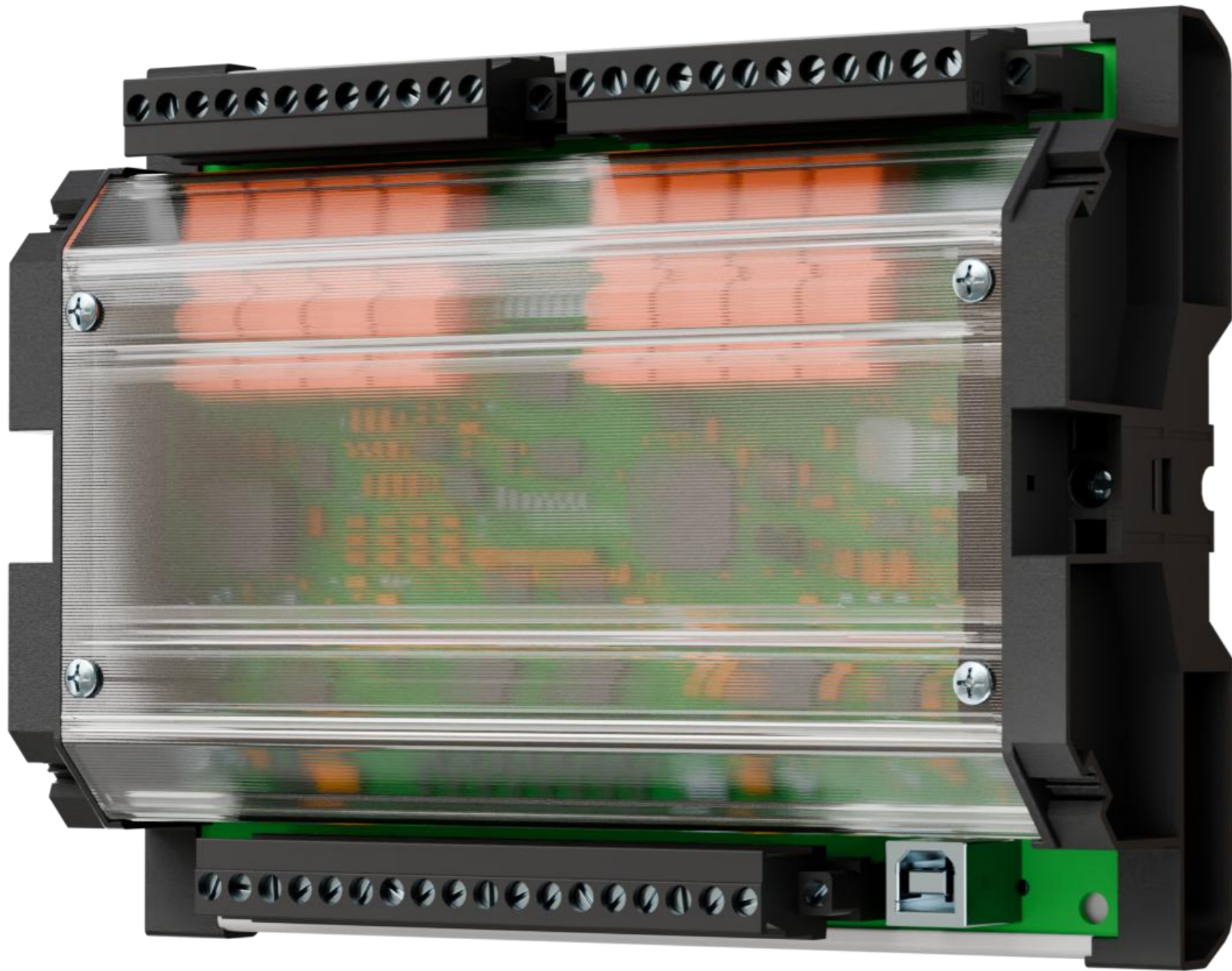


IKD2M-8/8

Digital Input-Output Expansion Module



- › 8 configurable digital Inputs
- › 8 configurable digital Outputs
- › Plug-and-play integration*¹
- › High Packing Density
- › Third-party PLC compatibility

*1 first IKD2M-8/8 module is plug-and-play

The IKD2M-8/8 offers a versatile and intelligent solution for expanding the number of digital inputs and outputs on Woodward power management controllers or serving as a remote I/O module within your PLC-based control system.

The input status of the IKD2M-8/8 is transmitted to the main controller via the CAN bus connection, while the output relays are controlled in the same manner from the main controller. Output actuation is managed by the LogicsManager™ within the main controller, which sends the corresponding commands to the IKD2M-8/8. The system offers a straightforward Plug-and-Play setup for the first IKD2M-8/8 device. However, if additional IKD2M-8/8 devices are integrated into your application, the CAN module's address must be configured. This can be done easily using a USB connection, a laptop, and Woodward's free Toolkit software.

Related products

SUPPORTED POWER MANAGEMENT CONTROLS	MAX. # OF IKD2M-8/8
easYgen-3000XT	4
Group Controller GC-3400XT-P1	2
LS-6XT-P1 (Package 1)	2
LS-6XT-P2 (Package 2)	4
easYgen-2000	2
easYgen-800/1500/1700/1800	2
DTSC-200 and -200A	2

- › 8 discrete inputs and 8 relay outputs Form-C
- › Effortless plug-and-play compatibility with Woodward power management controls
- › Configuration, if required, is easily done via a USB connection, a laptop, and Woodward's free Toolkit software
- › Space-efficient design
- › CAN bus communication enables integration with third-party PLCs (see product manual B45024 for CAN bus data telegram details)

› Certified Quality:   

IKD2M-8/8

Ordering Part Number
8440-2324
(connectors included)

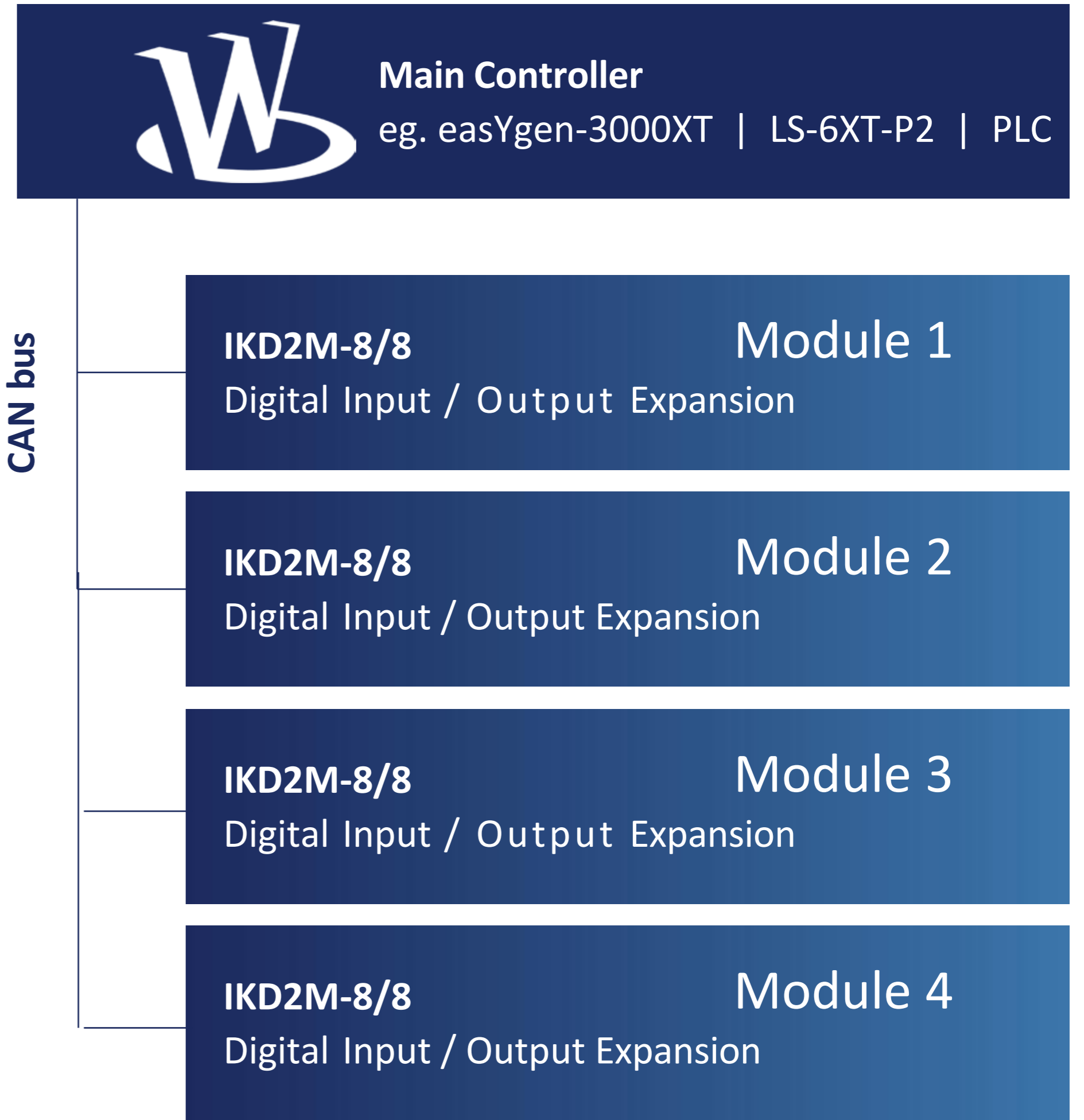
Spare Part - Connector Kit
10-015-874

Typical application

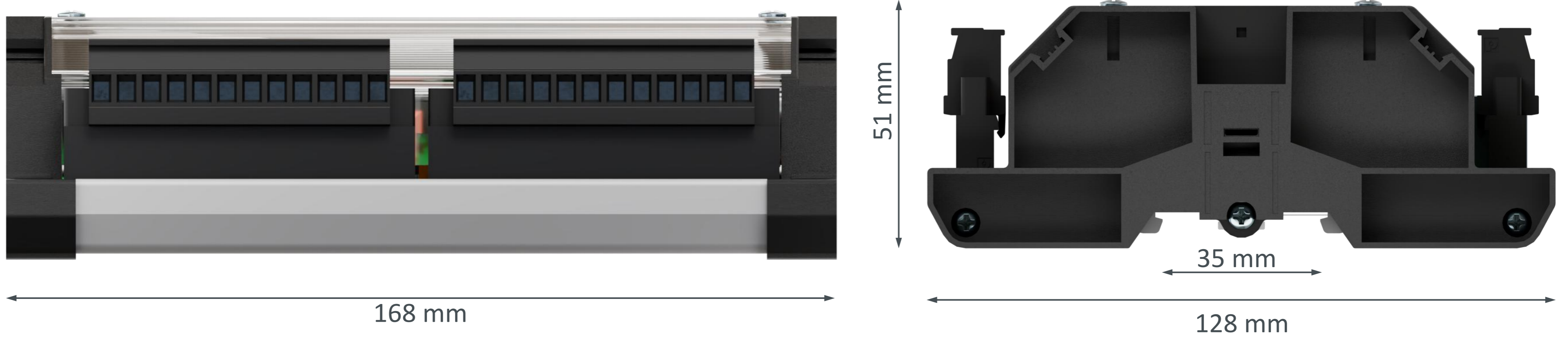
The monitoring and processing of **inputs** are configured through the main controller, enabling to set input names, alarm classes, Normally Open (NO) or Normally Closed (NC) settings, and delay times.

The control device's relay manager (LogicsManager™) controls the IKD2M-8/8 **output** relays.

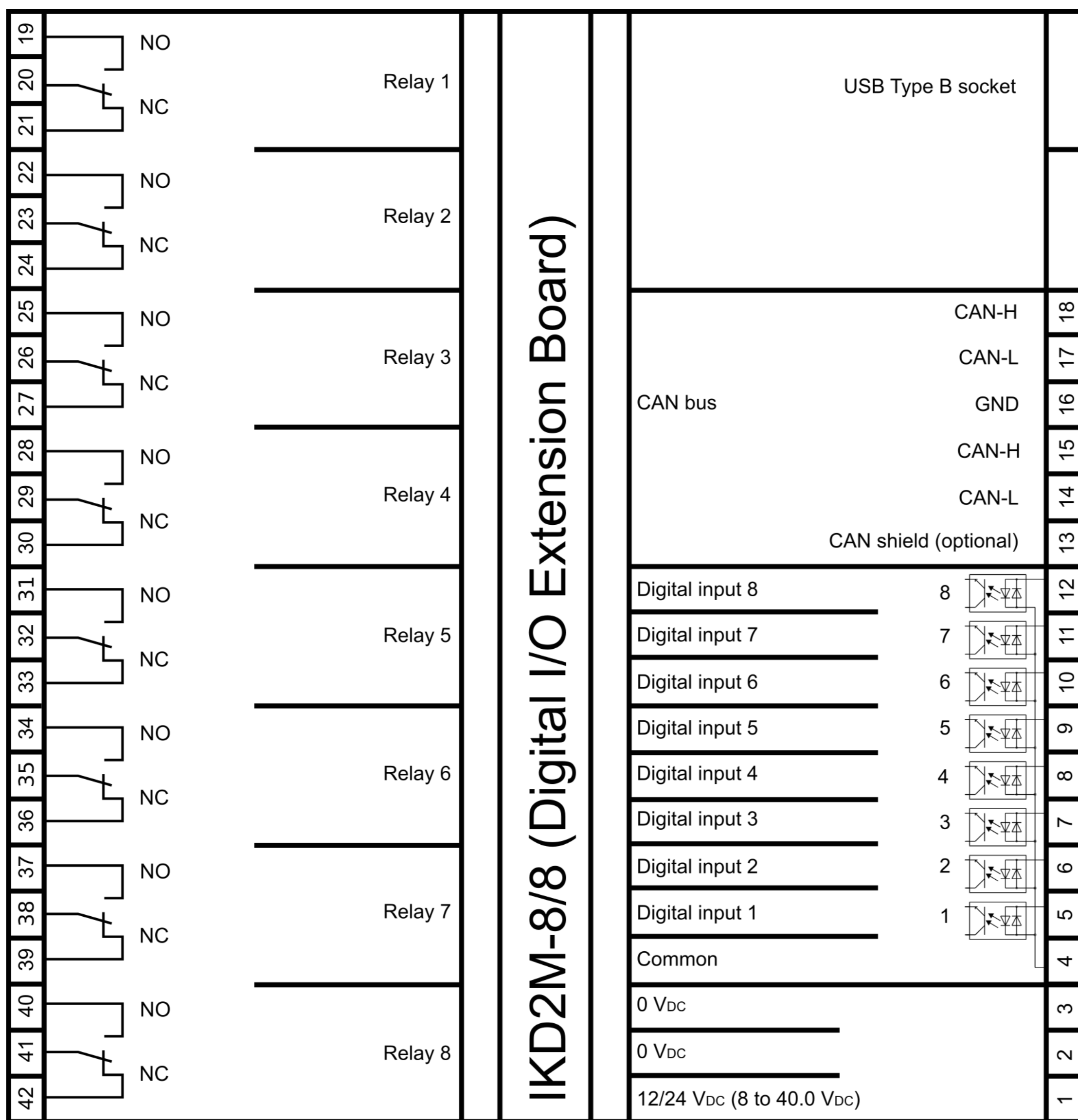
The control logic for each IKD2M-8/8 relay can be programmed individually in the control device by LogicsManager™ Command Variables.



Dimensions



Terminal Diagram



Subject to technical modifications

IKD2M-8/8 Wiring Diagram

IKD2M-8/8

Specifications

POWER

Power supply 12 / 24 V_{DC} (8 to 40 V_{DC})

Intrinsic consumption max. 4.5 W

Reverse voltage protection Yes

AMBIENT

Ambient temperature -20 to 70 °C / -4 to 158 °F

Ambient humidity 95%
RH 12H, 20°C Condensing 6H

DISCRETE INPUTS

Discrete inputs galvanically isolated

Input range 12 / 24 V_{DC} (8 to 40 V_{DC})

Input resistance approx. 40 kΩ

RELAY OUTPUTS

Discrete output galvanically isolated

Contact Material AgNi

Load (GP) 2.00 A_{AC} @ 250 V_{AC} General purpose
1.00 A_{DC} @ 24 V_{DC} VA load normally open contact

0.36 A_{DC} @ 125 V_{DC} UL: Not suitable for USA and Canada applications.
0.18 A_{DC} @ 250 V_{DC} Not evaluated by UL.

Pilot duty (PD) AC B300

CAN INTERFACE

CAN Interface galvanically isolated

Insulation voltage (continuous) 100 V_{AC}

Communication CAN bus

SERVICE INTERFACE

USB Type USB Type B

HOUSING

Housing DIN-rail mounting Extrusion profile Um 122

Dimensions WxHxD 168 x 128 x 51 mm

Connection screw/plug-terminals 2.5 mm²

Protection system IP20

Weight approx. 430 g

Disturbance test (CE) tested according to applicable IEC standards

Listings

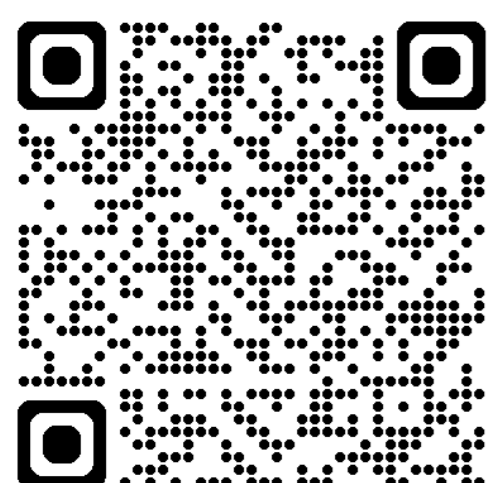


File No. E347132



Product Documents and Files

<http://wwdmanuals.com/ikd2m/>



Commercial support

industrial.salesPG@woodward.com

Technical support

industrial.support@woodward.com

Subject to alterations, errors excepted. Subject to technical modifications.

This document is distributed for informational purposes only. It is not to be construed as creating or becoming part of any Woodward Company contractual or warranty obligation unless expressly stated in a written sales contract.

© Woodward 2025, All Rights Reserved